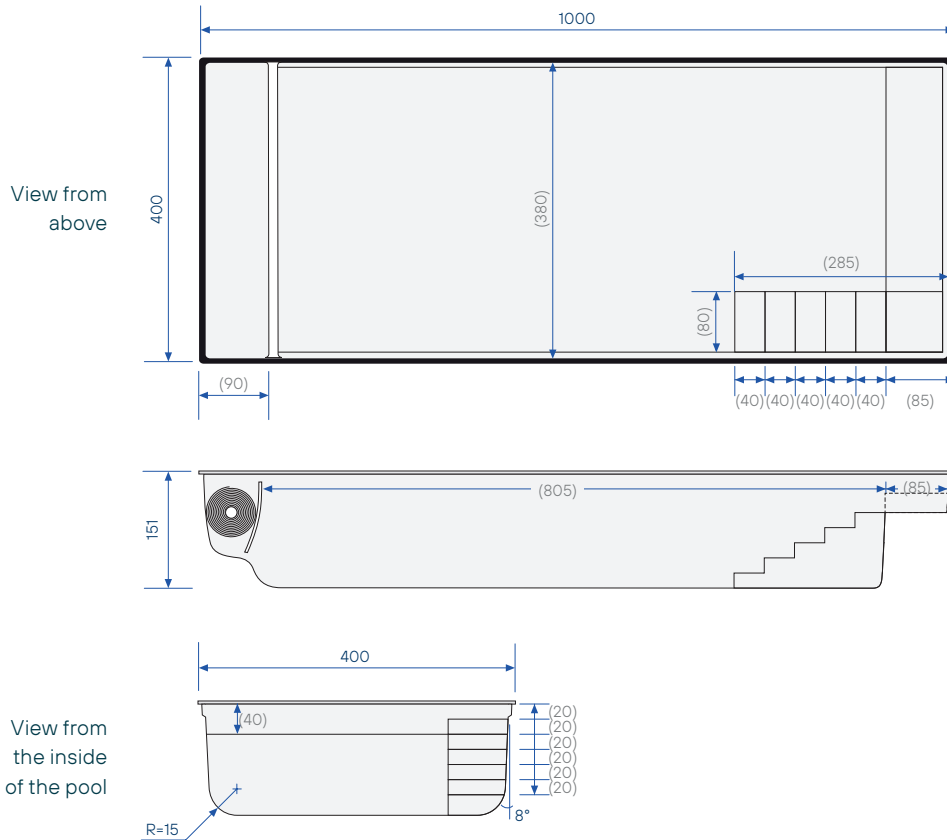


Commercial sizes	10,00 x 4,00 x 1,50m
Cover pit	Integrated, 90 cm
Water level	1,47 m
Weight incl. cover system	1 200 kg
Water volume	49 m³
Crane ¹	13 tons

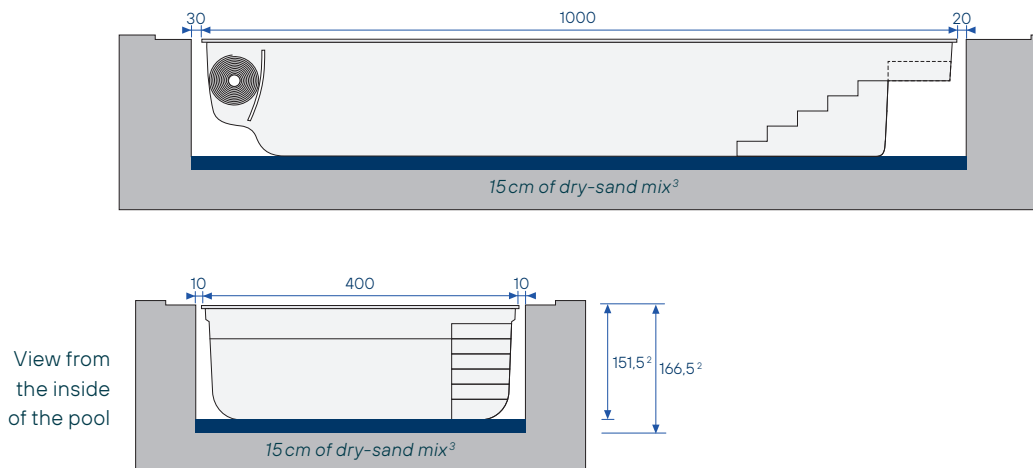


- ▼ **Standard lights**
can be placed on opposite side
 - ☼ **Drain**
always on the same side as the spots
 - ⊕ **Inlet**
2 additional inlets (optional)
 - ⊖ **Suction connection**
Additional circulation (optional)
- ⚠ Countercurrent system cannot be combined

External (internal) dimensions in cm – tolerance ± 2%



Digging sizes in cm – tolerance ± 2%



Note: the digging sizes do not take into account the necessary space for the coping stones.
¹ Needed for unloading & placing the pool. ² Depth taken from under the coping stone. ³ Mix of sand and cement, at a ratio of 250 kg per ton.